



55000

IT EN DE FR ES PT

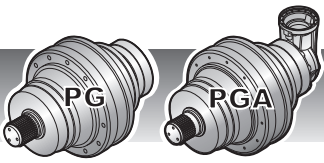
	i	Mc [kNm]				n _{1max} [min ⁻¹]	Pt [kW]	Kg				
		n ₂ x h	n ₂ x h	n ₂ x h	n ₂ x h			M	P	CPC	F	FS
		10.000	20.000	50.000	100.000							
PG 55001	3.84	635.7	572.3	498.2	450.0	100	160	3175	—	—	2850	2907
PG 55002	15.03	635.7	572.3	498.2	450.0	200	110	3972	—	—	3650	3707
	19.00	635.7	572.3	498.2	450.0							
PG 55003	59.42	635.7	572.3	498.2	450.0	1200	93	4166	—	—	3844	3901
	75.00	635.7	572.3	498.2	450.0							
	90.15	635.7	572.3	498.2	450.0							
	96.06	635.7	572.3	498.2	450.0							
	113.85	635.7	572.3	498.2	450.0							
PG 55004	211.27	635.7	572.3	498.2	450.0	2000	70	4225	—	—	3903	3960
	254.66	635.7	572.3	498.2	450.0							
	266.79	635.7	572.3	498.2	450.0							
	332.76	635.7	572.3	498.2	450.0							
	362.67	635.7	572.3	498.2	450.0							
	420.19	635.7	572.3	498.2	450.0							
	506.48	635.7	572.3	498.2	450.0							
	648.38	635.7	572.3	498.2	450.0							
PG 55005	798.14	635.7	572.3	498.2	450.0	2800	49	4241	—	—	3919	3976
	871.50	635.7	572.3	498.2	450.0							
	1050.47	635.7	572.3	498.2	450.0							
	1100.50	635.7	572.3	498.2	450.0							
	1214.84	635.7	572.3	498.2	450.0							
	1483.87	635.7	572.3	498.2	450.0							
	1600.73	635.7	572.3	498.2	450.0							
	1846.29	635.7	572.3	498.2	450.0							
	2082.20	635.7	572.3	498.2	450.0							
	2176.00	635.7	572.3	498.2	450.0							
	2398.76	635.7	572.3	498.2	450.0							
	2629.33	635.7	572.3	498.2	450.0							
	3046.40	635.7	572.3	498.2	450.0							
	3227.51	635.7	572.3	498.2	450.0							
	3722.61	635.7	572.3	498.2	450.0							
	3890.31	635.7	572.3	498.2	450.0							
	4700.79	635.7	572.3	498.2	450.0							
	5571.30	635.7	572.3	498.2	450.0							



	i	Mc [kNm]				n1max [min ⁻¹]	Pt [kW]	Kg				
		n ₂ x h	n ₂ x h	n ₂ x h	n ₂ x h			M	P	CPC	F	FS
		10.000	20.000	50.000	100.000							
PGA 55004	276.91	635.7	572.3	498.2	450.0	2500	57	4307	—	—	3985	4042
	295.03	635.7	572.3	498.2	450.0							
	349.67	635.7	572.3	498.2	450.0							
	448.27	635.7	572.3	498.2	450.0							
	531.28	635.7	572.3	498.2	450.0							
PGA 55005	648.91	635.7	572.3	498.2	450.0	2500	50	4347	—	—	4025	4082
	782.17	635.7	572.3	498.2	450.0							
	830.72	635.7	572.3	498.2	450.0							
	985.94	635.7	572.3	498.2	450.0							
	1113.90	635.7	572.3	498.2	450.0							
	1245.00	635.7	572.3	498.2	450.0							
	1426.00	635.7	572.3	498.2	450.0							
	1593.83	635.7	572.3	498.2	450.0							
	1869.12	635.7	572.3	498.2	450.0							
	1960.90	635.7	572.3	498.2	450.0							
	2396.17	635.7	572.3	498.2	450.0							
	2839.90	635.7	572.3	498.2	450.0							
	3025.79	635.7	572.3	498.2	450.0							
	3586.13	635.7	572.3	498.2	450.0							



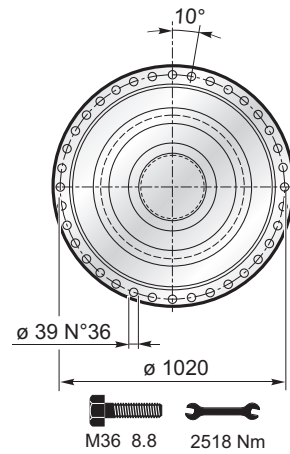
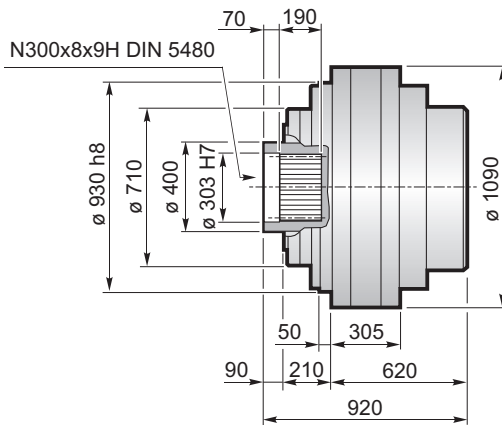
(n₂ x h = 20.000)
 $M_{max} = M_c \times 1.3$



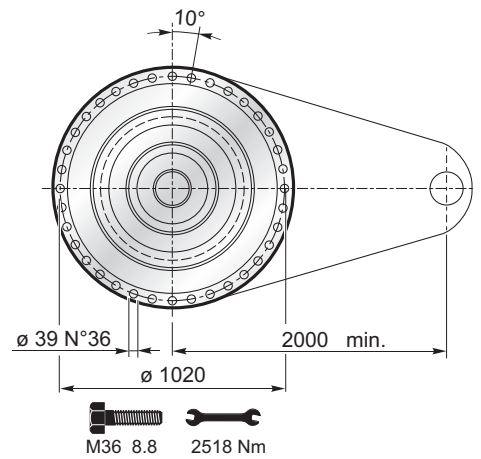
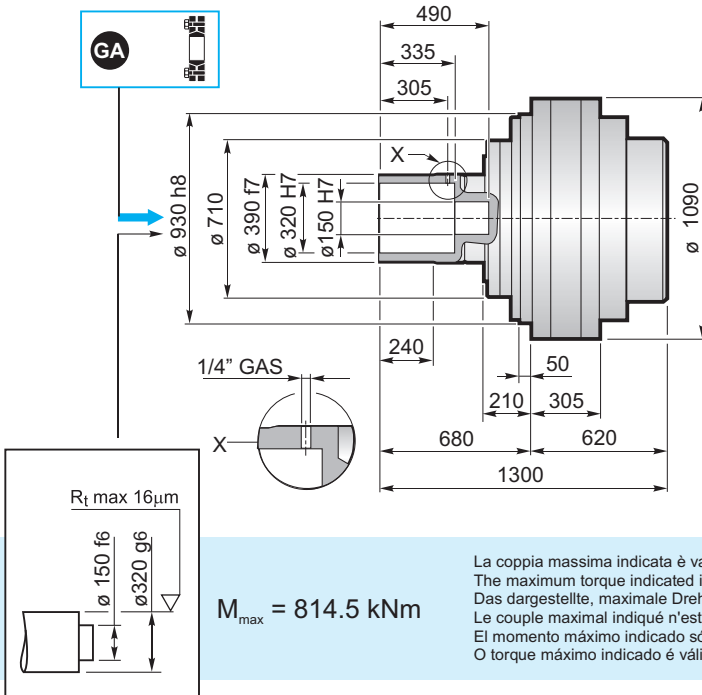
55000

IT EN DE FR ES PT

F



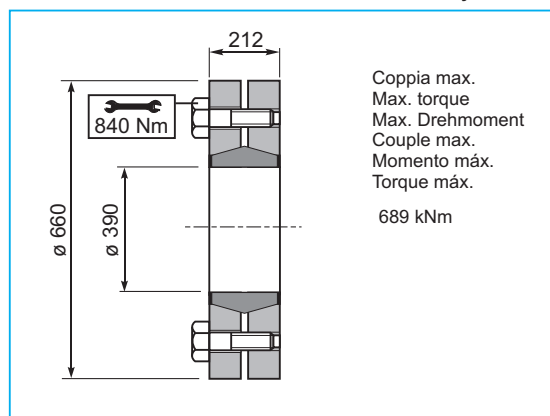
FS

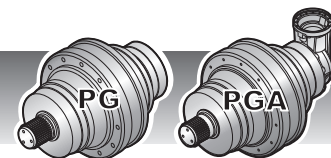


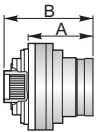
La coppia massima indicata è valida solo con calettatori forniti da Planetary Drives
 The maximum torque indicated is valid only with shrink discs supplied by Planetary Drives
 Das dargestellte, maximale Drehmoment gilt nur mit von Planetary Drives gelieferter Schrumpfscheibe
 Le couple maximal indiqué n'est valable qu'avec les frettes de serrage fournis par Planetary Drives
 El momento máximo indicado sólo es válido con discos de contracción suministrados por Planetary Drives
 O torque máximo indicado é válido exclusivamente com discos de contração fornecidos pela Planetary Drives

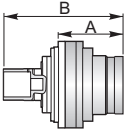
GA

Giunto di attrito / Shrink disc
 Schrumpfscheibe / Frette de serrage
 Disco de contracción / Disco de contração

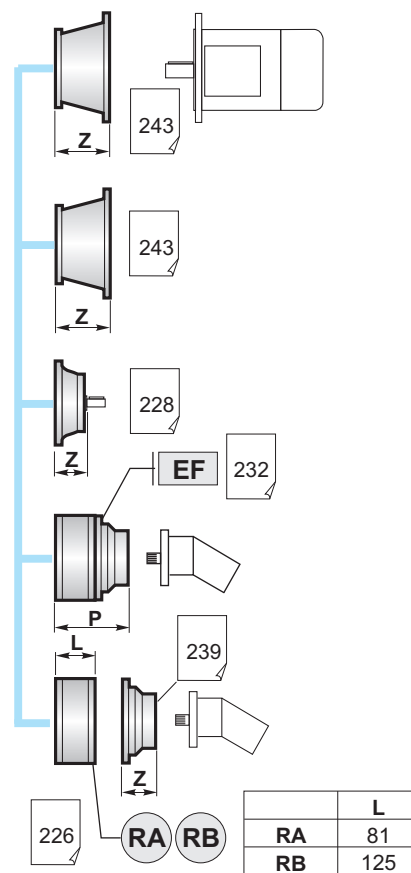


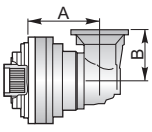


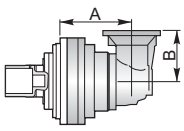
	PG ...F					
	A	B	RA	RB	EF	EDF
PG 55002	903.5	1203.5				
PG 55003	1124.5	1424.5				
PG 55004	1231.5	1531.5				
PG 55005	1303	1603		o		

	PG ...FS					
	A	B	RA	RB	EF	EDF
PG 55002	903.5	1583.5				
PG 55003	1124.5	1804.5				
PG 55004	1231.5	1911.5				
PG 55005	1303	1983		o		

!	A	B	
	A+13.5	B+13.5	o



	PGA ...F				
	A	B	RA	RB	EF
PGA 55004	1305.5	315			
PGA 55005	1366.5	315			

	PGA ...FS				
	A	B	RA	RB	EF
PGA 55004	1305.5	315			
PGA 55005	1366.5	315			

